

OSI SINGLE-PHASE AC RMS CURRENT TRANSDUCER MODEL CTR-

ACCURATE TO 0.25% FULL-SCALE

FEATURES

- Accurate measurement of the **true RMS** value of input signals over a wide frequency range.
- Input/output isolation.

APPLICATIONS

- For use in applications where measurement of non-sinusoidal waveforms is required.
- Designed to withstand motor start-up transients.

INPUT AMPS AC	STANDARD OUTPUTS MODEL CTR-			
	0-1mA _{dc}	4-20mA _{dc}	0-10V _{dc}	0-5V _{dc}
0 - 1	001B	001E	001D	001X5
0 - 5	005B	005E	005D	005X5
0 - 10	010B	010E	010D	010X5
0 - 15	015B	015E	015D	015X5
0 - 20	020B	020E	020D	020X5

All standard units require 115Vac instrument power.
Optional 230Vac instrument power - Add suffix "-22".

5 YEAR WARRANTY



ORDERING INFORMATION

Example: 15Aac Input with 0-10V_{dc} Output.
CTR-015D

SPECIFICATIONS

INPUT

Current (See Chart)
Frequency Range..... 48-420Hz
Burden.....0.28VA F.S.
Overload... 1-10Aac Range.... continuous 2 x F.S.
1Aac Range..... 10s, transient 10Aac
All other Ranges.. 10s, transient 50Aac
1s, transient 250Aac

DIELECTRIC TEST

Input/Output/Case 1500Vac

INSTRUMENT POWER

Standard.....85-135Vac, 50-400Hz, 3.5VA
"-22" Option 230Vac ±15%, 50-400Hz, 3.5VA

OUTPUT

Type (See Chart)
Loading **B** models 0-10kΩ
D & X5 models.....2kΩ, min.
E models..... 0-500Ω
Response Time (to 90% F.S.) 100ms
Field-adjustable Calibration..... ±10%

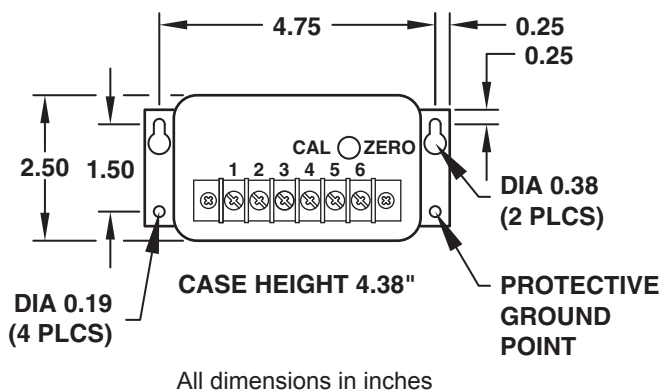
ACCURACY (Includes Effects of Linearity and Set Point)

At 60Hz ±0.25% F.S.
(±0.5% typical over frequency range)
Output Ripple <1.0% F.S.

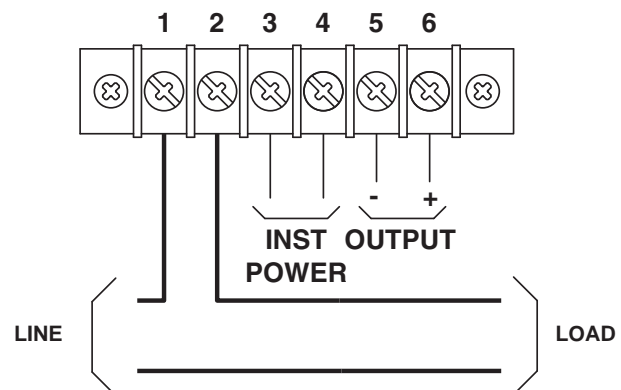
TEMPERATURE & PHYSICAL

Operating Range -20 to 60°C
Effect ±1.0% Rdg.
Net Weight..... 1.5 Lbs.

CASE DIMENSIONS



CONNECTION DIAGRAM



OHIO SEMITRONICS, INC.

4242 REYNOLDS DRIVE * HILLIARD, OHIO * 43026-1264
PHONE: (614) 777-1005 * FAX: (614) 777-4511
WWW.OHIOSEMITRONICS.COM * 1-800-537-6732